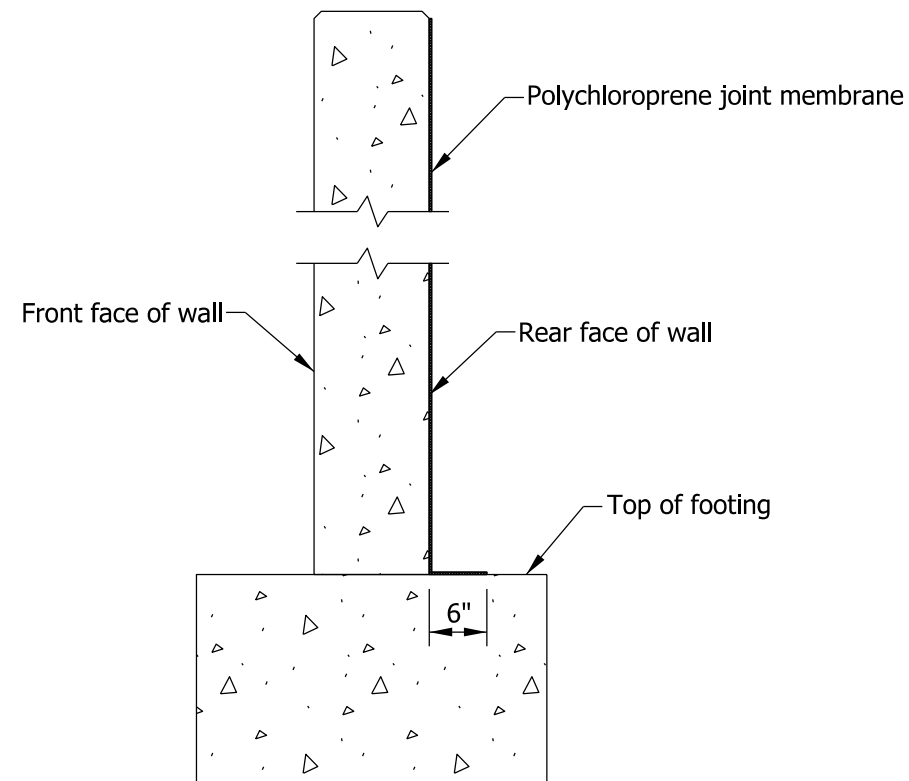
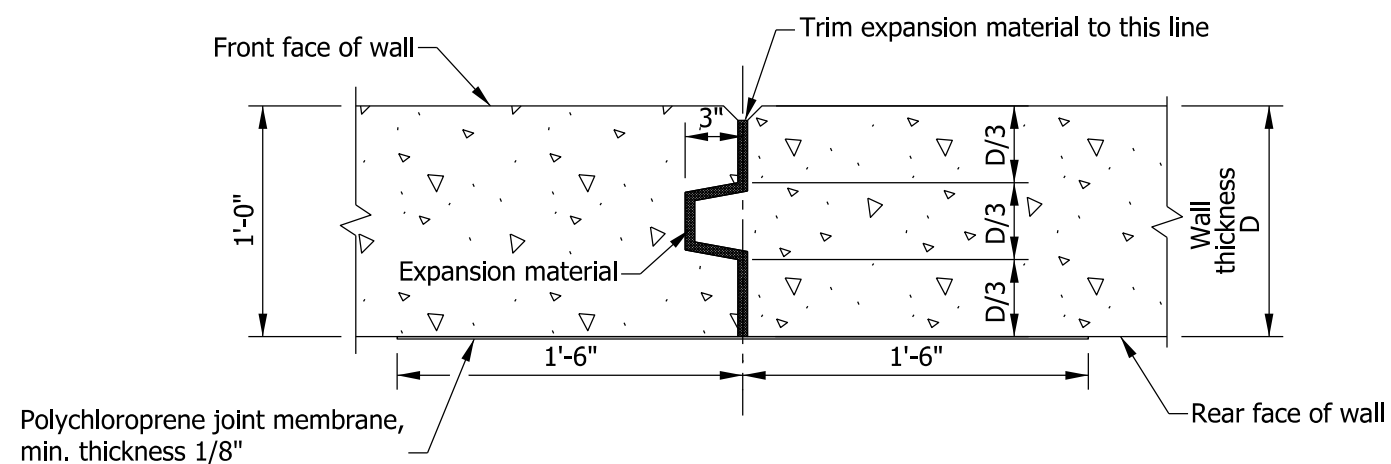


WALL FRONT FACE



SECTION B-B



SECTION A-A

NOTES

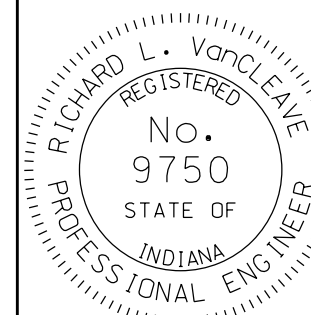
1. Expansion material in joints shall be preformed joint filler.
2. All chamfered edges shall be 3/4".

INDIANA DEPARTMENT OF TRANSPORTATION

EXPANSION JOINT

SEPTEMBER 2012

STANDARD DRAWING NO. E 724-BJTS-01



/s/ *Richard L. VanCleave* 09/04/12  
 SUPERVISOR, ROADWAY STANDARDS DATE

/s/ *Mark A. Miller* 09/04/12  
 CHIEF ENGINEER DATE